

# DIVINE™ 72 RGBW



# DIVINE™ 72 RGBW

OFFICIAL RELEASE Q3 2018



**ANOLIS is an architectural division of ROBE**

**HQ:** Anolis, Hážovice 2090, 756 61 Rožnov pod Radhoštěm, Czech Republic

**Factory:** Anolis, Palackého 416, 757 01 Valašské Meziříčí, Czech Republic, Tel: +420 571 751 500, Fax: +420 571 626 337, E-mail: info@anolis.eu

**North America:** Anolis Lighting, 12349 SW 53rd Street, Suite 202, Cooper City, Florida 33330, USA, Tel: 1-844-426-6547, Email: info@anolislighting.com

**UK:** Anolis UK, 3 Spinney View, Stone Circle Road, Round Spinney Industrial Estate, NN3 8RF, Northampton, United Kingdom, Tel: 01604 741000, Email: info@anolis.co.uk

**France:** Anolis France, ZI Paris Nord 2, Bâtiment Euler, 33, rue des Vanesses, 93420 Villepinte, Tel: +33 1 48 63 84 81, Fax: +33 1 48 63 84 87, E-mail: info@robelightning.fr

**Germany:** Anolis Germany, Carl-Zeiss-Ring 2185737, Ismaning, Germany, Tel: +49 89 9993 9090, Fax: +49 89 9993 9091, E-mail: info@robelightning.de

**Asia and Pacific:** Anolis Asia Pacific, 12 New Industrial Road, #02-05 Morningstar Centre, S-536202, Singapore, Tel: +65 6280 8558, Email: asiapacific@anolis.eu

**Middle East:** Anolis Middle East, Al Asmawi Building DIP, Office Nbr 507 5<sup>th</sup> floor, Po Box: 391 898, Dubai, UAE, Tel: +971 4 885 3223, Email: middleeast@anolis.eu

All specifications subject to change without notice.  
March 2018

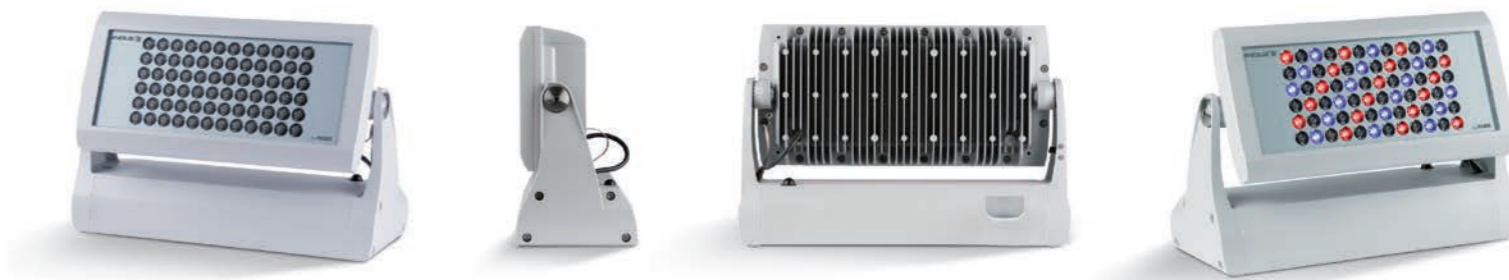
anolis.eu | anolislighting.com

Leading Lighting Solutions

# DIVINE

# Divine™ 72 RGBW

Powerful and compact the Divine™ 72 cuts through the night sky with precision. New architectural compositions are achieved layering façades details and landscape features with its narrow 6° beam. The power to paint any structure in stark distinction or subtle hue variation is possible with the incorporation of Anolis' signature color mixing capability. Made for the brutality of outdoor living the Divine™ 72 boasts an IK10 rating in addition to being 'Suitable for Wet Locations' with an IP67 rating. Do a lot with a little Divine intervention.



## TECHNICAL SPECIFICATIONS:

### ELECTRICAL

Input Voltage 100 - 277V AC, 50-60 Hz  
 Typical Power Consumption 300W  
 In Rush Current 30A (at 230V), 20A (at 115V)

### OPTICAL

Light Source 72x High Power Single Chip LEDs  
 Colour Variants RGBCW (CW-7200K), PW (7200K)  
 Red/Green/Blue/White, Pure White  
 Beam Angle 6°  
 CRI 70 (PW 7200K)  
 Lumen Output Delivered 15936lm (RGBCW 6° CW-7200K, all LEDs on full)  
 25989lm (CW 6° CW-7200K, all LEDs on full)  
 Projected Lumen Maintenance 60,000 hrs (L70@ 25°C / 77°F)

### CONTROL

Display LCD Display (Inside Integrated Junction Box)  
 Chassis Mounted LCD Display (optional)  
 Interface Protocol USITT DMX512 RDM, 0-10V (for Single Colour Variants)  
 Wireless DMX (Option) Lumen Radio CRMX Technology  
 Control System ArcControl range or any Third Party Controllers  
 Operating Modes DMX, Stand-alone  
 DMX modes: 2 (RGBW) / 2 (SC)  
 DMX Channels: 10, 14 (RGBW) / 8, 12 (SC)  
 Editable Program: 1 (up to 40 steps)  
 Via LCD Display  
 Power Supply Integrated

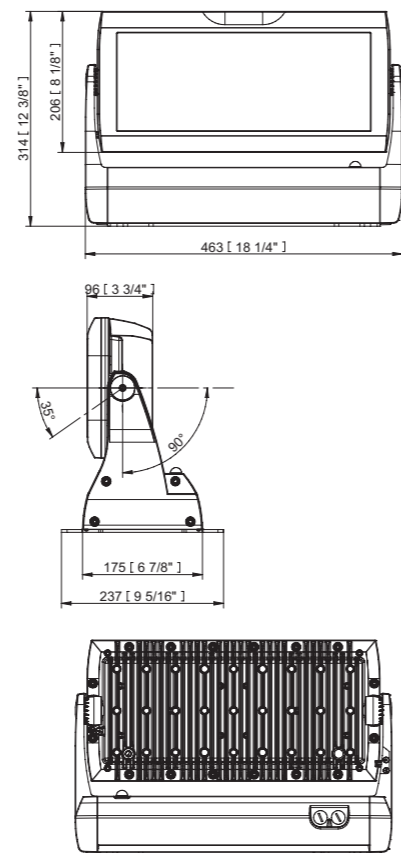
### PHYSICAL

Width x Height x Depth 463 x 314 x 175/237 mm (18.2 x 12.4 x 6.9/9.3 in)  
 Weight 16 kg / 35.3 lbs  
 Housing High Pressure Die-Cast Aluminium Body  
 Tempered Glass  
 Finish Options Silver (Standard), Black/White/Custom RAL (cost option)  
 Cables / Connections Integrated Junction Box w/Terminal Block  
 Recommended: Li9YC11Y Cable 3xAWG16+1x(2xAWG24)  
 Mounting Method Surface Mount, Flush (J-Box), C-Clamp (for side connection only)  
 Adjustability +35° / -90°  
 Protection Factor IP67 / Suitable For Wet Locations  
 IK Rating IK10  
 Cooling System Convection  
 Operating Ambient Temperature -20°C / +40°C (-4°F / +104°F)  
 Operating Temperature +75°C @ Ambient +40°C (+167°F @ Ambient +104°F)  
 Total Heat Dissipation 1500 BTU/h (calculated)

### CERTIFICATION

Listings ETL / cETL, CE, RoHS pending

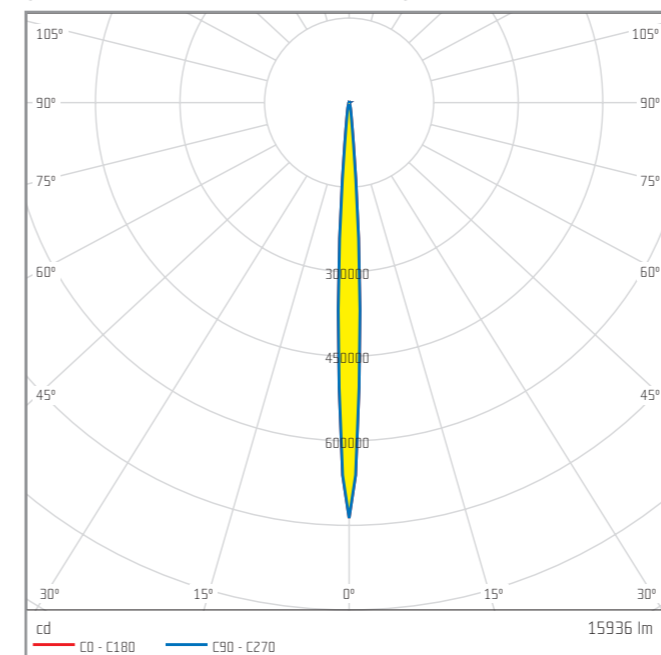
## DIMENSIONS (mm/inch):



- ### ACCESSORIES
- Set of Rubber Feet (silver)
  - Top Hat Divine 72 (silver)
  - Half Top Hat Divine 72 (silver)
  - Barn Door Module for Divine 72 (silver)
  - C-Clamp Adaptor Divine (silver) - Side connection only
  - Wire Guard/Anti-Glare Divine 72 (silver)

## PHOTOMETRIC DATA:

RGBW Total Luminous Flux: 15936lm  
 (RGBCW 6° CW-7200K, all LEDs on full)



Distance [m]	Cone diameter [m]	Illuminance [lx]
0.50	0.05	2948001
1.0	0.10	367585
1.5	0.16	163371
2.0	0.21	91896
2.5	0.26	58814
3.0	0.31	40843



[\*] ETL listing is pending

OFFICIAL RELEASE Q3 2018